

**Drop Down Loft Access Door**

CODE **GL250-03**

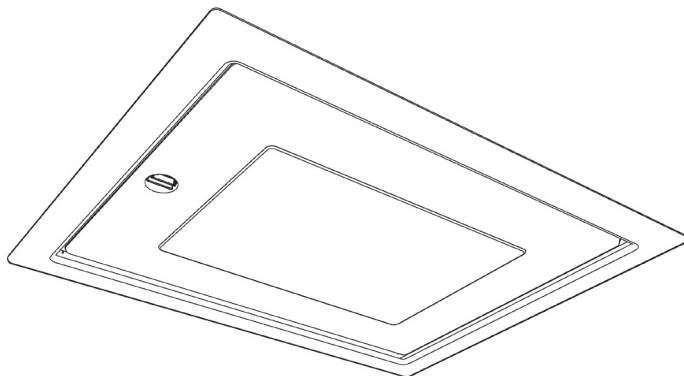
**Description**

The GL250-03 Drop Down Loft Access Door provides an unobtrusive and cost effective alternative to traditional loft space access. The door has a twist action, three point closing mechanism along with a unique hinge system, allowing the door to be hinged down or be removed from the frame completely for unobstructed access into the roof space.

Draught seals are located to seal between both the frame and the ceiling and the door and the frame. These prevent the problem of moist warm air entering the roof space and meet the air leakage requirements of Part L of the building regulations. The product is also supplied with 50mm of expanded polystyrene insulation to thermally insulate the back of the door.

The door and frame is stylish yet unobtrusive which has been designed to fit in with almost all house decor styles. With a lightly textured white finish the door can be easily cleaned with a solvent free damp cloth, or alternatively the GL250-03 can be painted to match the décor.

The door catch can be operated by hand or with a pole by using the pole attachment located in the insulation on the back of the door (pole not supplied). The door can also be used with the GLL256 and GLL257 loft ladders, the catch can be easily operated with the loft ladder pole.



**Product Specifications**

<b>Colour</b>	White
<b>Packing Details</b>	Individually packaged in a polythene bag and cardboard box
<b>Box Weight</b>	4.0 kg
<b>Material</b>	High Impact Polystyrene
<b>Manufacturing Process</b>	Injection Moulded
<b>Draught Seals</b>	Expanded Polyurethane
<b>Insulation</b>	50mm Expanded Polystyrene

**Environmental & Air Leakage Assessment**

The expanded polystyrene insulation used in the GL250-03 has a Global Warming Potential (GWP) of less than 5 and is CFC/HCFC-free with an Ozone Depletion Potential (ODP) of zero

The GL250-03 drop down loft access door has been independently air leakage tested by the BRE to the requirements for a "Well Sealed Ceiling" as outlined in BS 5250, meeting the recommend leakage rate of <math><1\text{m}^3</math> at a pressure differential of 2 Pa, and the Building Regulations Part L2A 'reasonable limit' for the design air permeability of buildings of  $10\text{m}^3/\text{h.m}^2$  at 50Pa.

**References**

BRE: Digest 262  
 BSI: BS5250  
 DOE: Building regs L1  
 NHBC: Good Practice Guide  
 NHBC: Standards 7.2  
 DEFRA: Robust Details 8.04

MANTHORPE BUILDING PRODUCTS LTD  
 MANTHORPE HOUSE  
 BRITAIN DRIVE  
 CODNOR GATE BUSINESS PARK  
 RIPLEY  
 DERBYSHIRE DE5 3ND

TEL: 01773 514 200  
 FAX: 01773 514 262  
 EMAIL:  
 sales@manthorpe.co.uk  
 WEB  
 www.manthorpe.co.uk

DRN B.H.

Date 11.04.12

DRG No

**MBP 8189**

Issue

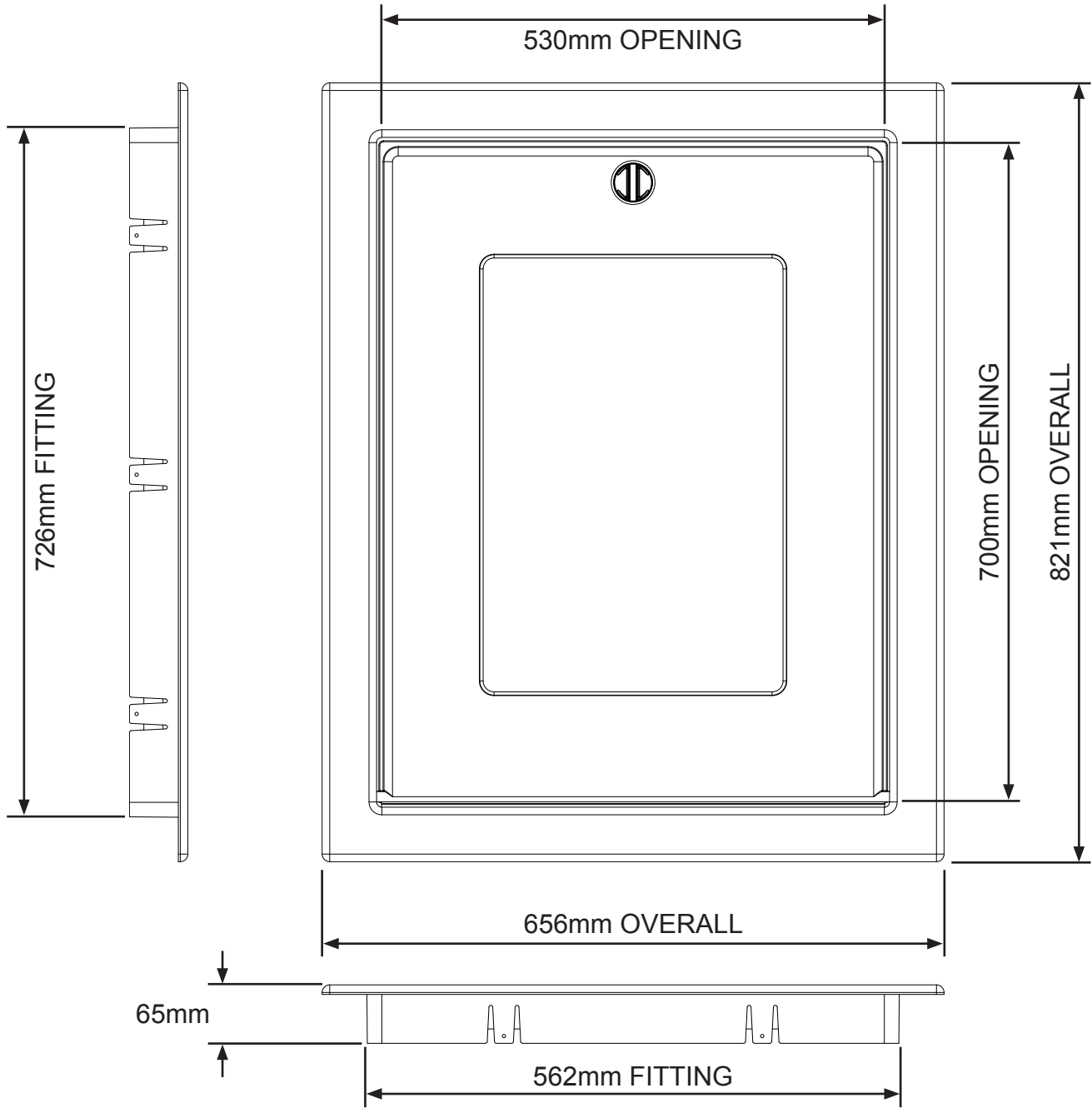
**B**

1 of 2

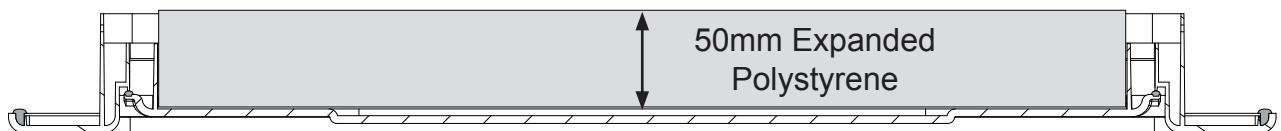
The company maintains a policy of continuous development of its product range and reserves the right to amend the specification without notice.

**Drop Down Loft Access Door**

CODE **GL250-03**



**Door Insulation**



MANTHORPE BUILDING PRODUCTS LTD  
 MANTHORPE HOUSE  
 BRITAIN DRIVE  
 CODNOR GATE BUSINESS PARK  
 RIPLEY  
 DERBYSHIRE DE5 3ND

TEL: 01773 514 200  
 FAX: 01773 514 262  
 EMAIL:  
[sales@manthorpe.co.uk](mailto:sales@manthorpe.co.uk)  
 WEB  
[www.manthorpe.co.uk](http://www.manthorpe.co.uk)

DRN B.H.

Date 11.04.12

DRG No

**MBP 8189**

Issue

**B**

2 of 2

The company maintains a policy of continuous development of its product range and reserves the right to amend the specification without notice.