

Dual Extended Telescopic Underfloor Void Ventilator

CODE **G965**

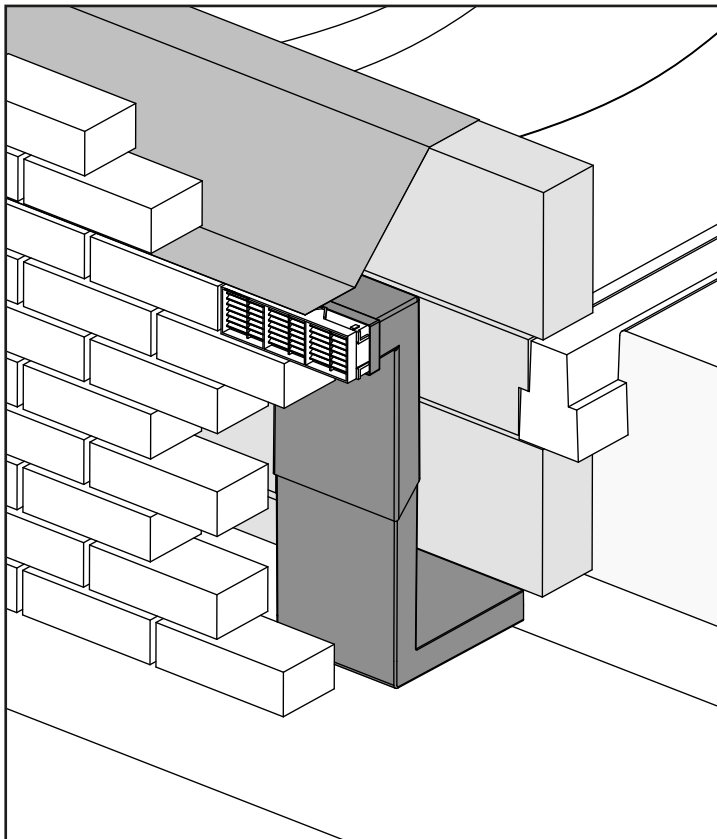
Description

The G965 Dual Extended Telescopic Underfloor Void Ventilator is designed to provide a clear airflow passage to a void beneath an insulated suspended floor.

The current and future requirements of Part L of the Building Regulations along with other standards and regulations have led to an increase in the depth of thermal insulation in suspended floors along with an increase in cavity widths to accommodate greater amounts of cavity wall insulation. This has meant that clear access to an underfloor void may be as far as 6 or 7 brick courses (525mm) below the level of an airbrick and potentially as much as 350mm from the outer face of the external leaf. Traditional telescopic underfloor ventilators would not be able to achieve this without the use of additional vertical and horizontal extension sleeves.

The G965 offers a vertical telescopic adjustment of between 5 and 8 brick courses without the need for an extension sleeve. The horizontal outlet is long enough to bridge through an overall wall thickness of 350mm without the need for an additional extension.

The front aperture of the G965 is designed for use with a G930 Combination Airbrick or it can be used in conjunction with a traditional clay airbrick, although this would reduce the overall airflow through the system.



| | |
|------------------------------|--|
| Colour | Black |
| Packing Details | 16 per box |
| Box Weight | 11.54 kg |
| Material | Polypropylene |
| Manufacturing Process | Injection Moulded |
| Free Airflow | 8,000 mm ² (6,450mm ² through G930) |
| Vertical Extension | 5-8 courses (318mm - 575mm) |
| Horizontal Extension | 360mm (Including G930 Airbrick) |

References

BRE: DIGEST 17/262
 BRE: Floor, Flooring
 DOE: Building Regulations C4
 NHBC: Standards 5.2
 BSI: BS 5250:2002

MANTHORPE BUILDING PRODUCTS LTD
 MANTHORPE HOUSE
 BRITAIN DRIVE
 CODNOR GATE BUSINESS PARK
 RIPLEY
 DERBYSHIRE DE5 3ND

TEL: 01773 303 000
 FAX: 01773 303 300
 EMAIL:
 mbp.care@manthorpebp.co.uk
 WEB
 www.manthorpebp.co.uk

DRN B.H. Date 19.06.19

The company maintains a policy of continuous development of its product range and reserves the right to amend the specification without notice.

DRG No

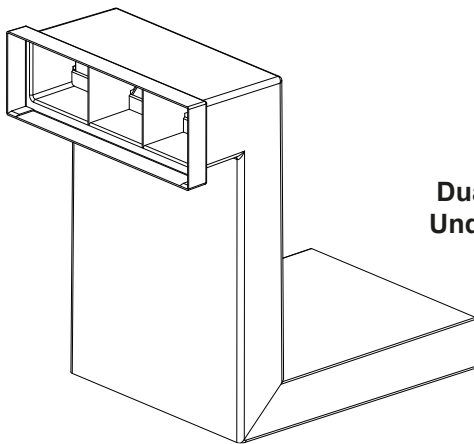
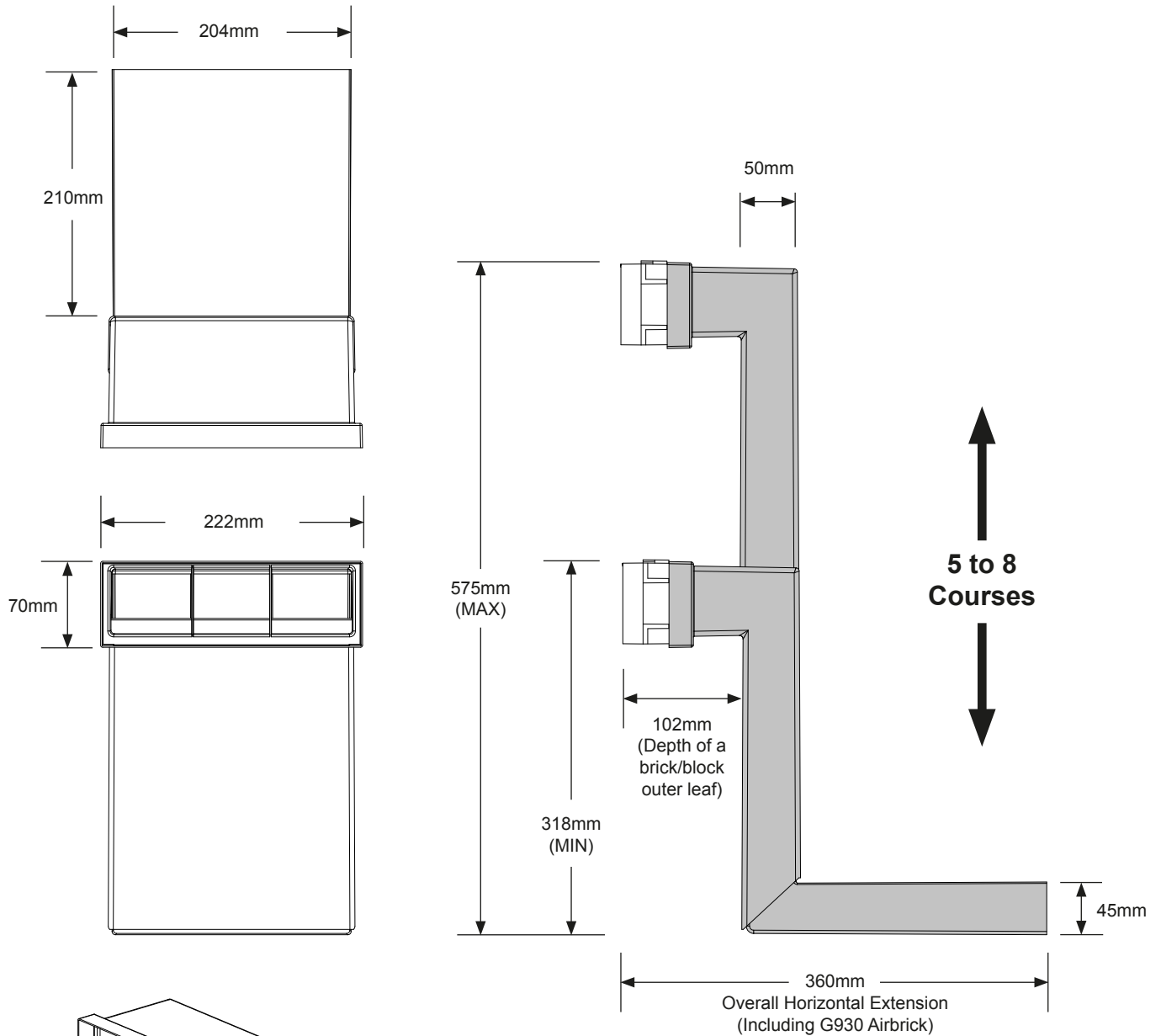
MBP 8298

Issue

D
 1 of 3

Dual Extended Telescopic Underfloor Void Ventilator

CODE **G965**



Dual Extended Underfloor Vent G965

NOTE:

Extensions that require fewer than a 5 course drop in the brickwork can be achieved by trimming the required amount from the vent.

MANTHORPE BUILDING PRODUCTS LTD
 MANTHORPE HOUSE
 BRITAIN DRIVE
 CODNOR GATE BUSINESS PARK
 RIPLEY
 DERBYSHIRE DE5 3ND

TEL: 01773 303 000
 FAX: 01773 303 300
 EMAIL: mbp.care@manthorpebp.co.uk
 WEB www.manthorpebp.co.uk

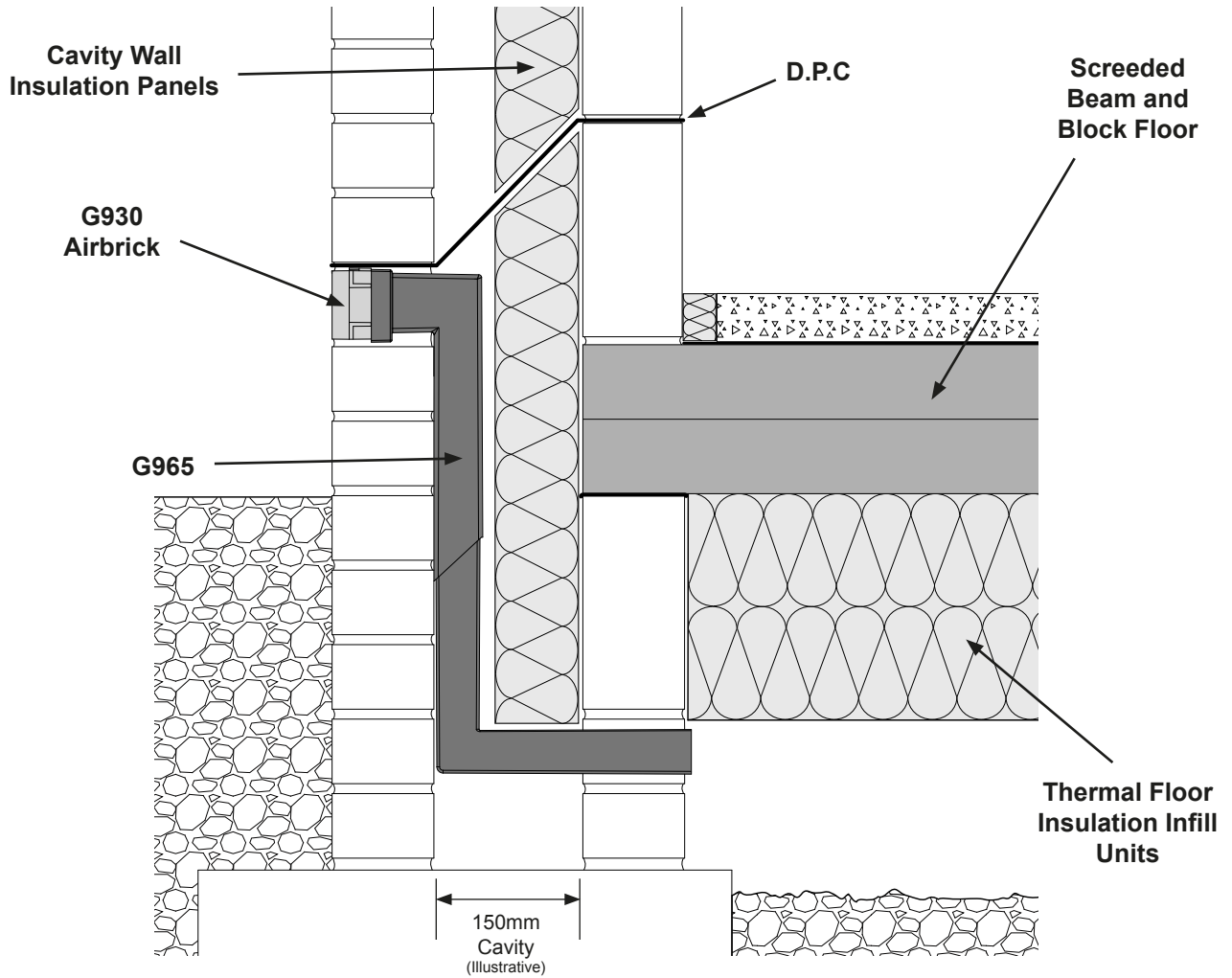
DRN B.H. Date 19.06.19
 The company maintains a policy of continuous development of its product range and reserves the right to amend the specification without notice.

DRG No
MBP 8298

Issue
D
 2 of 3

Dual Extended Telescopic Underfloor Void Ventilator

CODE **G965**



Fitting Instructions

The G965 Dual Extended Telescopic Underfloor Void Ventilator should be installed during the normal course of bricklaying. The vent can be fitted as an assembled unit, or with the base component can be positioned first, with the top added later when the bricklaying reaches the correct height. If fitted above the D.P.C then a suitable cavity tray should be fitted above the G965.

The G965 should be fitted in at least two opposing walls to create a through flow of ventilation into an underfloor void. As N.H.B.C recommendations state "Ventilators should be placed at not more than two metre centres and within 450mm of each end of the wall". Bricklaying should then be completed as normal although care should be taken to keep the air flow passage clear from mortar droppings.

This product should be used in conjunction with other products from the Manthorpe range to provide a complete through wall ventilation system. In the unlikely event that further extension is required, a G961 Extension Sleeve can be used to extend the reach of the system by 2 brick courses vertically, and can be used horizontally to protrude through a thicker wall detail.

MANTHORPE BUILDING PRODUCTS LTD
 MANTHORPE HOUSE
 BRITAIN DRIVE
 CODNOR GATE BUSINESS PARK
 RIPLEY
 DERBYSHIRE DE5 3ND

TEL: 01773 303 000
 FAX: 01773 303 300
 EMAIL:
 mbp.care@manthorpebp.co.uk
 WEB
 www.manthorpebp.co.uk

DRN B.H. Date 19.06.19
 The company maintains a policy of continuous development of its product range and reserves the right to amend the specification without notice.

DRG No
MBP 8298

Issue
D
 3 of 3