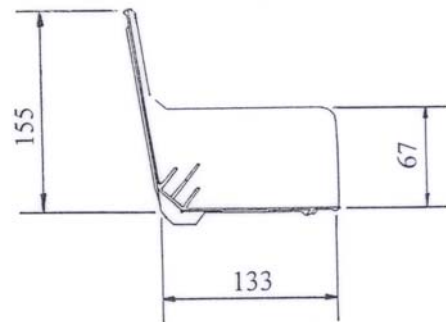
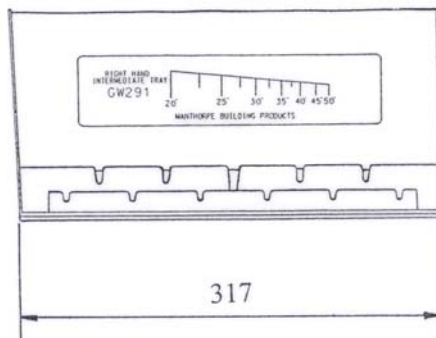
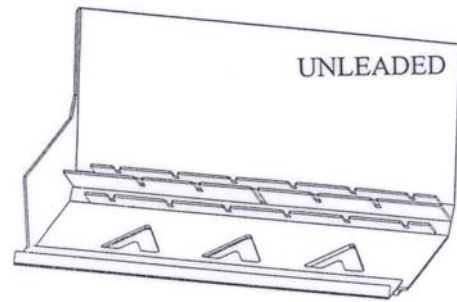
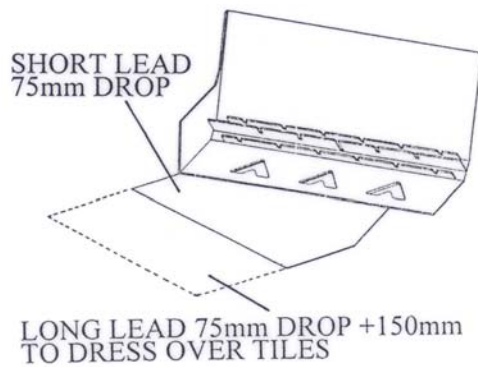


## Intermediate Tray Right Hand

CODE **GW291**



MORTAR CLIP NOT SHOWN

### Description:

The GW291 Right Hand Intermediate Tray has an up stand at one end only. This is so that the water can run out of the tray down the cavity tray system. The up stand on the tray prevents driving rain penetrating the outer wall and tracking across the masonry.

The tray has a unique front mortar clip that can be removed at any time once the mortar has set leaving a 25mm deep aperture into which the lead is inserted into and secured with lead wedges.

The tray also features an injection molded mortar trap which ensures a clear water path by reducing the risk of mortar droppings and other debris completely blocking the tray, although care should still be taken to keep the trays clear from mortar and other building debris.

The GW291 Right Hand Intermediate Tray can also be supplied with short or long lead securely attached with staples in either code 4 or code 5 (special order) lead.

**Note: - When ordering trays please state roof pitch and whether short or long lead is required.**

COLOURS	Black
PACKING DETAILS	Packed in 25's in cardboard box (unleaded).
WEIGHT	6kg per box (unleaded)
MATERIAL	Polypropylene
MANUFACTURING PROCESS	Injection Moulded
SUITABLE FOR CAVITY WIDTHS	50mm to 100mm
SUITABLE FOR PITCHES	17.5 to 50
BED SIZE	102.5mm

### References:

BRE	:	Building Elements Walls, Windows, Doors
BRE	:	DIGEST 262/380
BSI	:	BS5628
BSI	:	BS8000 Part 3
BSI	:	BS8215
NHBC	:	Standards 6.1

MANTHORPE BUILDING PRODUCTS LTD  
MANTHORPE HOUSE  
BRITAIN DRIVE  
CODNOR GATE BUSINESS PARK  
RIPLEY  
DERBYSHIRE DE5 3ND

TEL: 01773 303 000  
FAX: 01773 303 300  
EMAIL: [mbp.care@manthorpebp.co.uk](mailto:mbp.care@manthorpebp.co.uk)  
WEB: [www.manthorpebp.co.uk](http://www.manthorpebp.co.uk)

DRN M.L.W.O Date 20.06.19

The company maintains a policy of continuous development of its product range and reserves the right to amend the specification without notice.

DRG No

**MBP 8032**

Issue

**B**